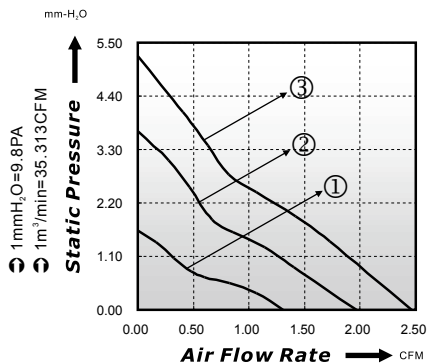


25x25x10mm

Model B

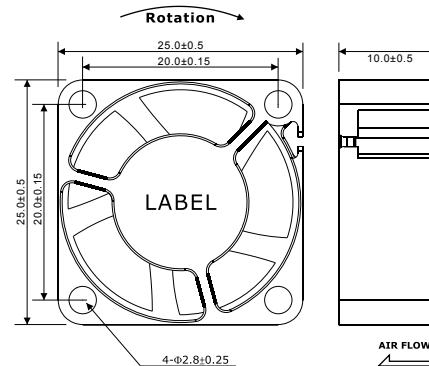


P-Q Curve (At Rated Voltage)



Dimensions Drawing

Unit: (mm)



Model No	Bearing (*)	Rated Voltage (VDC)	Rated Current (A)	Power Consumption (Watts)	Speed (rpm)	Air Flow (CFM)	Static Pressure (mmH ₂ O)	Noise (dBA)	Curve
ED02510-05L*	○ ● ⊖	5	0.19	0.95	7000	1.31	1.64	20.8	1
ED02510-05M*	○ ● ⊖	5	0.20	1.00	10000	1.97	3.67	26.6	2
ED02510-05H*	○ ● ⊖	5	0.29	1.45	12000	2.46	5.23	30.6	3
ED02510-12L*	○ ● ⊖	12	0.05	0.60	7000	1.31	1.64	20.8	1
ED02510-12M*	○ ● ⊖	12	0.09	1.08	10000	1.97	3.67	26.6	2
ED02510-12H*	○ ● ⊖	12	0.12	1.44	12000	2.46	5.23	30.6	3

* Bearing Type: ○ Sleeve ● Two Ball ⊖ Hydro-Dynamic